

SEMINAR

HEBEI METALS 4F30	ELECTRO STEEL 4F28	ENCOMPASS 4F26	4C27 ZAWYA	VENTURES 4B15	POWER MOTION 4C24
----------------------	-----------------------	-------------------	---------------	------------------	----------------------

CONFERENCE

DELEGATE LUNCH

TORAY 4F16	STARPOWER SRL 4F24
POWER MAX 4F20	TPS MGMT. 3A28

GLOBAL TRANS. 3E30	ARABCO 3E31
INMARCO 3F30	AL SAMIR 3F31

UB EMIRATES 4A30	S.I.P SRL 4A31
LAHMEYER 3E27	SERGI 3A18

4B19 SOCIETY OF ENGINEERS
4C28 ALAIN CHARLES

3C28 ALMOE DIGITAL SOLUTIONS	3C29 KIMANS INC.
CHLORIDE BATTERIES S.E.ASIA PVT. LTD. 3A20	ENG. CONS 3A24
ELECTRICAL INDUSTRIES 3C20	

3D28 RSA-ELECTRONICS	3D29 HYDROMAGX-RSS
KEVIN INTL 4F12	OMAN CABLES 4F15
WASCO 3D20	

3E28 OMICRON	3E29 AVENIR
	3F17 BIO AIR
UNIVERSAL TECHNICAL 3E20	

3F28 NAFFCO	3F29 U.L.
EMIRATES ELECTRICAL 3F20	
EL SEWEDY 3F21	

4A28 MARELLI	4A29 DANFOSS
EMERSON 4A20	
GERSAN 4A21	

4B28 ANHUI LINE ELECTRIC PUMP CO.LTD	4B29 NEXO INDUSTRIES
POWER MECH PROJECTS LTD. 4B20	
GULF PLASTIC /RAK THERM 4B21	

4B18 NATIONAL CABLES IND.
SAHARA 4C20

CUSTOMER DELIGHT
3A14
ITP
4B30

3C19 SAINT GOBAIN
3C10 SWAN SYSTEME AG

ADWEA

JINDAL SAW LTD. 3F10
C&S ELECTRIC 4A10

4A19 BIN MOOSA & DALY LTD LLC
VICTOR INDUSTRIAL 4A15
GRUNDFOS 4B10

4C18 AUMA ACTUATORS MIE	4C19 PRAHER
WAAREE ATG INSTRUMENTS & CONTROLS TRADING 4C14	VOLTAMP ENERGY 4C15
POWER PLUS 4C10	

QTECH 4C21
4F10 EMIRATES GERMANY

3A10
SR ELECTRIC

ARABCAL
3E01

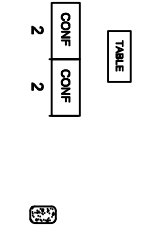
4B01
SELCO

3F01
SUPER QUALITY

4F14
MIRJANA

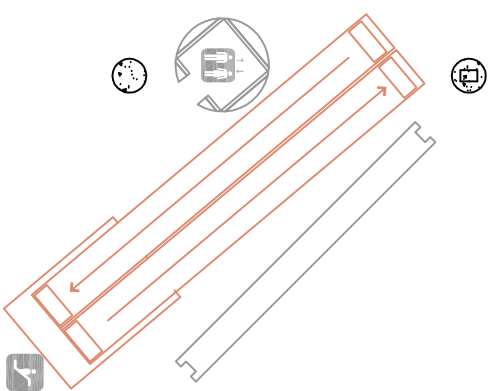
3F18
ALIZEO

4A01
EMIRATES ROBOTICS



TRESTLE TABLES

ON ON	PR PR
2	2



ATRIUM

TO GRANDSTAND